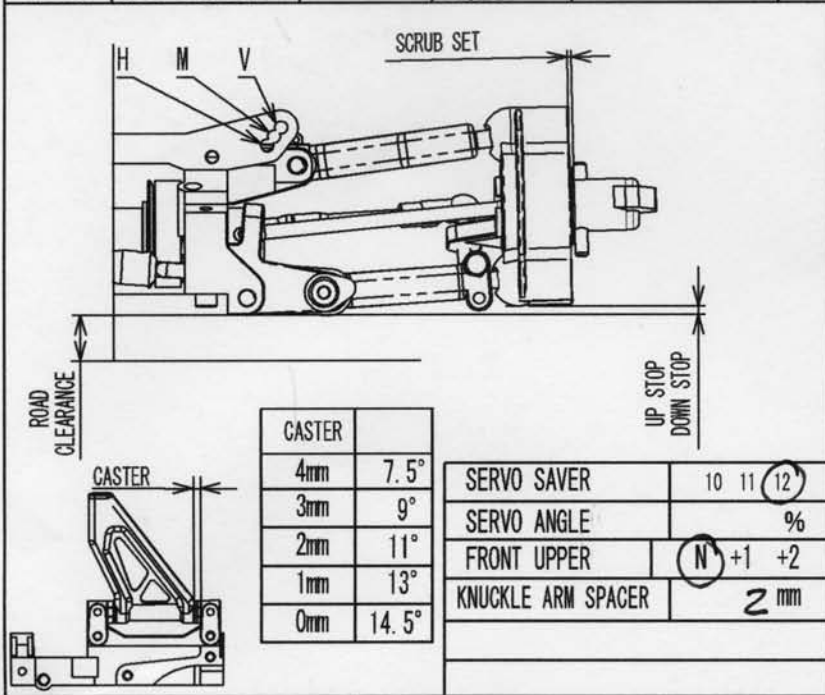
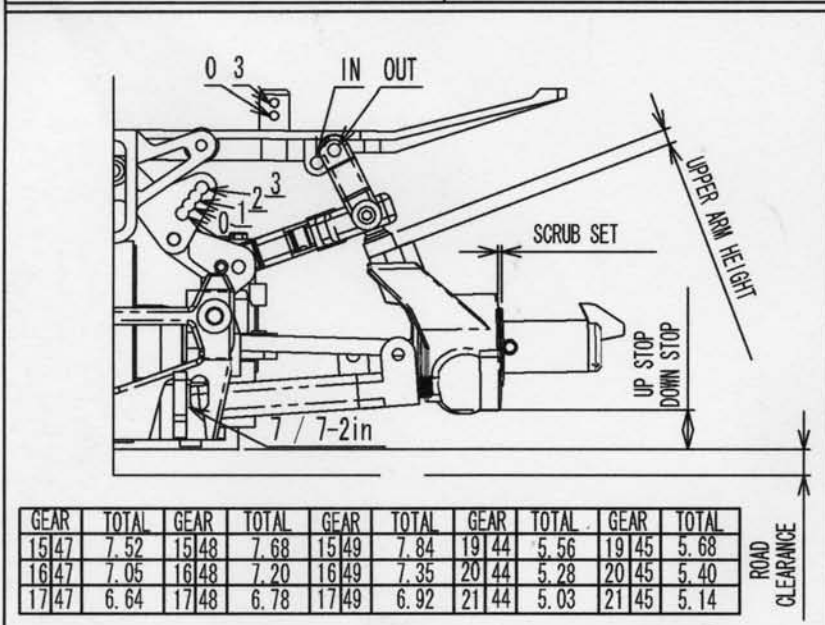


# EVOLVA 2003 SETTING DATA SHEET Ver1.00

NAME	JOHN CYEUL	TEMP	85°	ENGINE	S1210	MUFFLER	TOP 9886
DATE	APRIL 2004	HUMIDITY	LOW %	HEAD CLEARANCE	.55 mm	FUEL TYPE	25%6
TRACK	LAS VEGAS	TRACTION	MED %	PLUG No.	7	RADIO	K6 8090



SHOCK OIL	400 450 (500) 550 600 700 800
DIAPHRAGM	STANDARD
SHOCK PISTON	N 1.2 x 1 HOLE
SPRING	1.8 1.9 2.0 <b>MUGEN WHITE</b>
SPRING ADJUSTER	mm
SHOCK POS	(H) M V
SCRUB SET	0.5 (1.0)
CASTER ANGLE	13° 1 mm
CAMBER ANGLE	L 0 0.5 1 1.5 (2) 2.5 3
OG/IG	R 0 0.5 1 (1.5) 2 2.5 3
TOE ANGLE	2° TOE OUT
FRONT WIDTH	253 mm
UP STOP	None mm
DOWN STOP	0 mm
ANTIROLL BAR	(Diagrams)
TIRE HARDNESS	32 (35) 37 40
TIRE TYPE	(STANDARD) / MULTI
TIRE DIAMETER	φ 68 mm
ROAD CLEARANCE	5 mm



SHOCK OIL	400 450 (500) 550 600 700 800
DIAPHRAGM	STANDARD
SHOCK PISTON	N 1.1 x 2 HOLE
SPRING	1.8 1.9 2.0 <b>RED MUGEN</b>
SPRING ADJUSTER	mm
SHOCK POS	(0) 1 2 3
SCRUB SET	0.5 1.0 1.5 (2.0)
UPPER ARM	2 mm (IN) OUT
CAMBER ANGLE	L 0.5 1 1.5 2 2.5 (3) 3.5
OG/IG	R 0.5 1 1.5 2 (2.5) 3 3.5
TOE ANGLE	1.5° PER SIDE
REAR WIDTH	263 mm
UP STOP	None mm
DOWN STOP	9 mm
ANTIROLL BAR	φ 3 / φ 50°
TIRE HARDNESS	32 (35) 37 40
TIRE TYPE	(STANDARD) / MULTI
TIRE DIAMETER	φ 75 mm
ROAD CLEARANCE	7 mm

CLUCH TYPE	(3D) 4D	PINION GEAR	15 (16) 17 18/19 (20) 21 22
CLUCH SHOE	N RED (GREY)	SPUR GEAR	47 48 (49) / 44 (45)
HUGAL SHOE	N STANDARD	DRIVE RATIO	7mm Difference 26/18 (420 BELT)
CLUCH SPRING	STANDARD	BODY MOUNT POS	(IN) / OUT
CLEARANCE	.4 mm	BODY MOUNT HEIGHT	(0) / 3
ADJ. NUT	mm		

TIRE DIAMETER	φ 75 mm
ROAD CLEARANCE	7 mm
SUS HOLDER	7 / (1-2in)
BODY	DELTA LOLA
BODY POSITION	8 mm
REAR SPOILER	3 mm

MEMO BEST SET-UP @ VEGAS BUT STILL UNDERSTEERING TO MUCH INTO HAIRPINS.