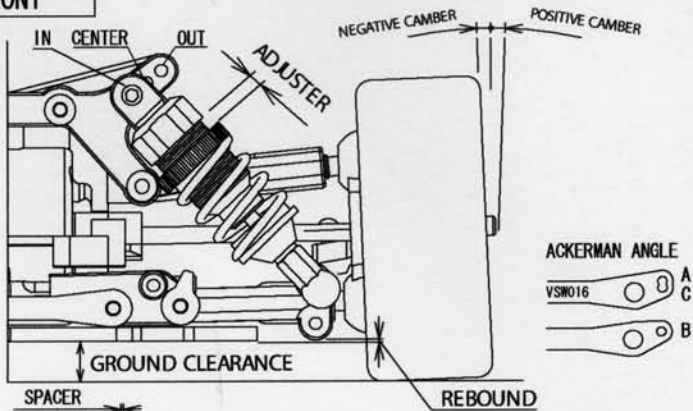


NAME	TEMP	°C	ENGINE	MUFFLER	MANIFOLD
DATA	HUMIDITY	%	HEAD CLEARANCE	mm	FUEL TYPE
TRACK	TRACTION	%	PLUG No.	RADIO	

FRONT



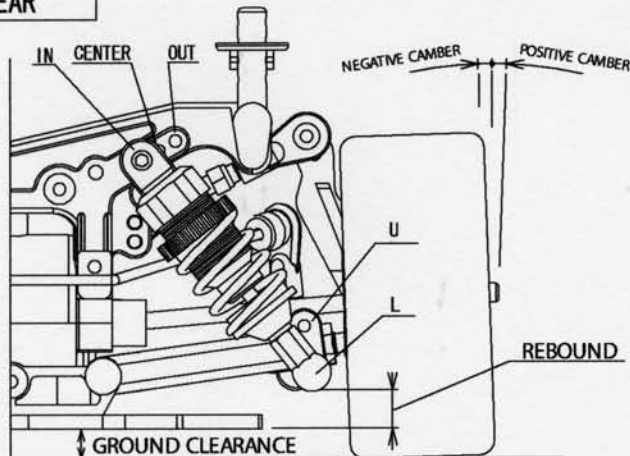
SHOCK OIL	300 350 400 450 500 550 600 700
SHOCK PISTON	N
SPRING	S B G
SPRING ADJUSTER	mm
SHOCK POS	IN CENTER OUT
CASTER ANGLE	mm
CAMBER ANGLE	OG/1G 0 0.5 1.0 1.5 2.0
TOE ANGLE	mm
FRONT WIDTH	mm
REBOUND STOP	mm
STABILIZER BAR	
TIRE TYPE	
TIRE SIZE	φ mm
WHEEL	
GROUND CLEARANCE	mm



CASTER ANGLE	
2mm	10°
1mm	8°
0mm	6°

DIFF. / ONEWAY	
RING GEAR	39T 40T
ACKERMAN ANGLE	A B C
ST D/R	%

REAR



SHOCK OIL	300 350 400 450 500 550 600 700
SHOCK PISTON	N
SPRING	S B G
SPRING ADJUSTER	mm
SHOCK POS	IN CENTER OUT
SHOCK POS	U / L
UPPER ARM POS	IN (U/L) - OUT (U/L)
CAMBER ANGLE	OG/1G 0 0.5 1.0 1.5 2.0 2.5 3.0
TOE ANGLE	
REAR WIDTH	mm
REBOUND STOP	mm
STABILIZER BAR	SILVER BLACK GOLD
REAR SUS. HOLDER	H L
DIFF OIL	#
TIRE TYPE	
TIRE SIZE	φ mm
WHEEL	
GROUND CLEARANCE	mm
BODY	
BODY POSITION	
REAR SPOILER HEIGHT	
REAR SPOILER ANGLE	

RING GEAR 39T				
GEAR	TOTAL	GEAR	TOTAL	
20 50	7.50	25 45	5.40	
20 51	7.65	25 46	5.52	
21 50	7.14	26 45	5.19	
21 51	7.28	26 46	5.30	
22 50	6.81	27 45	5.00	
22 51	6.95	27 46	5.11	

RING GEAR 40T				
GEAR	TOTAL	GEAR	TOTAL	
20 50	7.69	25 45	5.54	
20 51	7.85	25 46	5.66	
21 50	7.33	26 45	5.33	
21 51	7.47	26 46	5.44	
22 50	6.99	27 45	5.13	
22 51	7.13	27 46	5.24	

CLUTCH WEIGHT		GEAR	20 21 22 / 25 26 27
SPRING		GEAR	50 51 / 45 46
CLEARANCE	mm	RING GEAR	39T 40T
ADJ NUT	mm	CLUCH SHOE	