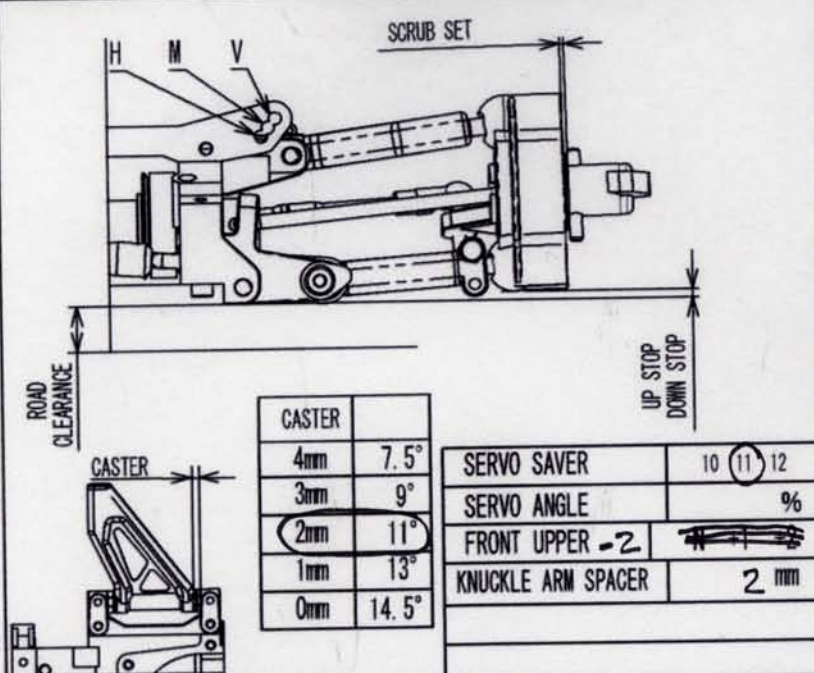


EVOLVA

2003 SETTING DATA SHEET Ver1.00

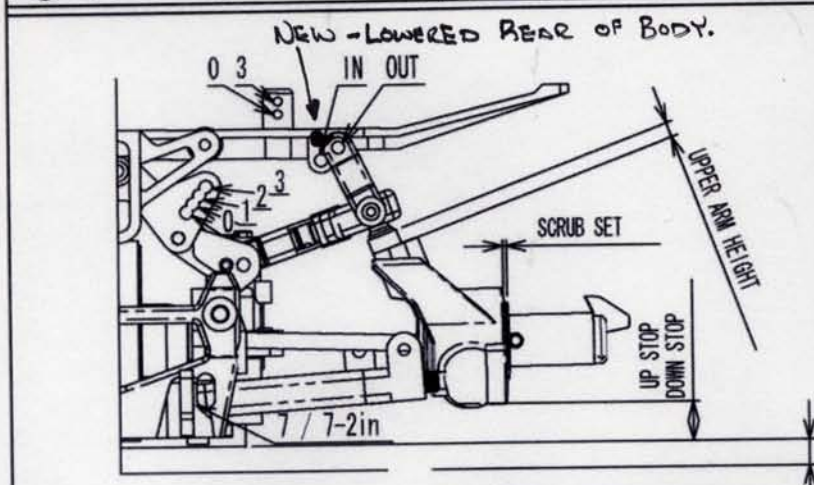
NAME	Josh Cyell	TEMP	85°F	ENGINE	SIRIO	MUFFLER	2013 SIRIO
DATE	SEPT 20, 2003	HUMIDITY	60%	HEAD CLEARANCE	.55 mm	FUEL TYPE	CEPX/SIRIO
TRACK	W.C. CIRC	TRACTION	Med/HIGH%	PLUG No.	SIRIO #8	RADIO	KO HELIOS



CASTER	
4mm	7.5°
3mm	9°
2mm	11°
1mm	13°
0mm	14.5°

SERVO SAVER	10 (11) 12
SERVO ANGLE	%
FRONT UPPER	-2
KNUCKLE ARM SPACER	2 mm

SHOCK OIL	400 450 (500) 550 600 700 800
DIAPHRAGM	STANDARD
SHOCK PISTON	N 1.2 x 1
SPRING	1.8 1.9 2.0 MUGEN WHITE
SPRING ADJUSTER	mm
SHOCK POS	H (M) V
SCRUB SET	(0.5) 1.0
CASTER ANGLE	2 mm
CAMBER ANGLE	L 0 0.5 1 1.5 (2) 2.5 3
OG/1G	R 0 0.5 1 1.5 (2) 2.5 3
TOE ANGLE	2° OUT
FRONT WIDTH	252 mm
UP STOP	NONE mm
DOWN STOP	0 mm
ANTIROLL BAR	(1) (2) (3) (4) (5)
TIRE HARDNESS	32 (35) 37 40
TIRE TYPE	(STANDARD) MULTI
TIRE DIAMETER	φ 68 mm
ROAD CLEARANCE	6 mm



GEAR	TOTAL	GEAR	TOTAL	GEAR	TOTAL	GEAR	TOTAL	GEAR	TOTAL
15/47	7.52	15/48	7.68	15/49	7.84	19/44	5.56	19/45	5.68
16/47	7.05	16/48	7.20	16/49	7.35	20/44	5.28	20/45	5.40
17/47	6.64	17/48	6.78	17/49	6.92	21/44	5.03	21/45	5.14

SHOCK OIL	400 450 (500) 550 600 700 800
DIAPHRAGM	STANDARD
SHOCK PISTON	N 1.1 x 2
SPRING	1.8 1.9 2.0 MUGEN RED
SPRING ADJUSTER	mm
SHOCK POS	0 (1) 2 3
SCRUB SET	0.5 (1.0) 1.5 2.0
UPPER ARM	3 mm (IN) OUT
CAMBER ANGLE	L 0.5 1 1.5 2 2.5 (3) 3.5
OG/1G	R 0.5 1 1.5 2 2.5 (3) 3.5
TOE ANGLE	2°
REAR WIDTH	263 mm
UP STOP	NONE mm
DOWN STOP	9 mm
ANTIROLL BAR	φ 3 / (4)
TIRE HARDNESS	32 (35) 37 40
TIRE TYPE	(STANDARD) MULTI
TIRE DIAMETER	φ 74.5 mm
ROAD CLEARANCE	7 mm
SUS HOLDER	7 / (7-2in)
BODY	DELTA LOLA
BODY POSITION	8 mm
REAR SPOILER	2 mm

CLUCH TYPE	(3D) 4D	PINION GEAR	15 (16) 17 18/19 (20) 21 22
CLUCH SHOE	N RED (GREY)	SPUR GEAR	47 (48) 49 / (44) 45
HUGAL SHOE	N STANDARD	DRIVE RATIO	7mm Difference 26/18 (420 BELT)
CLUCH SPRING	STANDARD		
CLEARANCE	.4 mm	BODY MOUNT POS	NEW IN / OUT
ADJ. NUT	3.0 mm	BODY MOUNT HEIGHT	(0) / 3

MEMO SET-UP FROM W.C. A-FINAL! LAST DAY OF QUALIFICATION.